

HENSLEY PARABOLIC® 330 SERIES

TEETH • ADAPTERS • WEAR PARTS

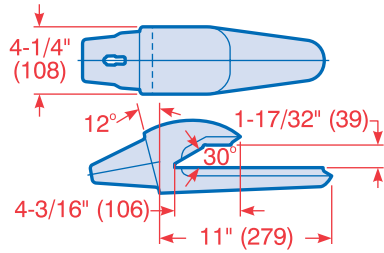


Hensley proudly offers the 330 Series **Parabolic**® tooth and adapter line. When used in heavy duty applications, **Hensley's** 330 Series is targeted for excavators with operating weights up to 50,000 lbs. and for loaders with break-out forces up to 51,000 lbs.

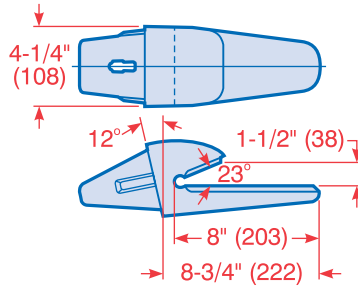
Features of the 330 Series Parabolic® teeth & adapters:

- Superior fit between nose and pocket
- Three types of strong, top-mounted fastener systems
- Fastener cannot be inserted incorrectly
- Ten different tooth styles
- Computer-aided design for maximum efficiency

BOTTOM LEG ADAPTERS

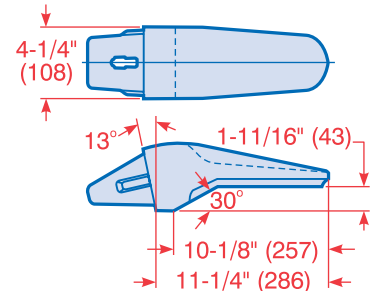


822X330 28.3 lbs./12.8 kgs.



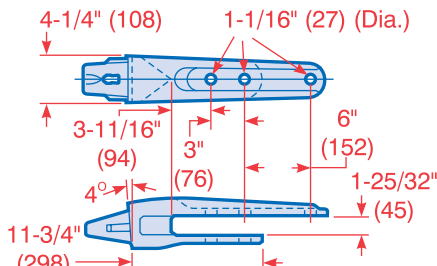
383X330 23.5 lbs./10.7 kgs.

FLUSH MOUNT ADAPTER



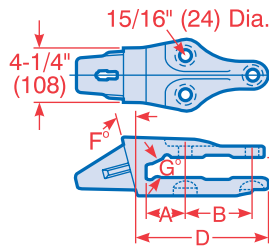
190X330 32.9 lbs./14.9 kgs.

BOLT-ON (SAUERMAN)

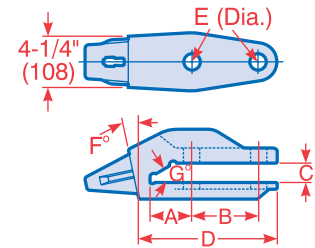


323X330 41.4 lbs./18.8 kgs.

BOLT-ON CENTER ADAPTERS*

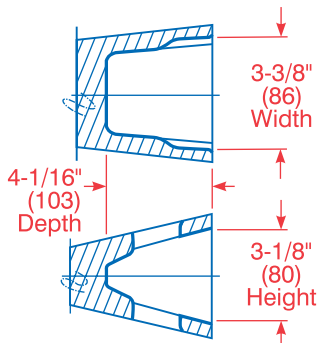


Type 1



Type 2

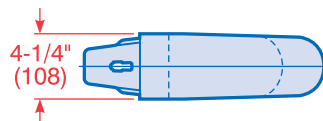
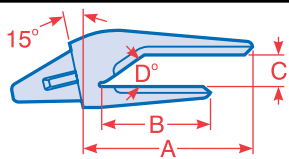
POCKET DIMENSIONS



Hensley Adapter No.	Type	Dimensions - Inches (mm)					Degree		Weight Lbs. (kgs.)
		A	B	C	D	E	F	G	
142X330	1	2 ¹³ / ₁₆ (71)	4 ¹⁵ / ₁₆ (125)	1 ⁷ / ₁₆ (37)	9 ¹¹ / ₁₆ (246)	1 ⁵ / ₁₆ (24)	15°	24.5°	30.5 (13.8)
744X330	2	4 ³ / ₈ (111)	5 ³ / ₁₆ (132)	1 ⁵ / ₈ (41)	12 ⁵ / ₁₆ (313)	1 ³ / ₈ (35)	12°	30°	44.0 (20.0)
901X330	2	5 ¹ / ₁₆ (129)	3 ¹⁵ / ₁₆ (100)	1 ⁵ / ₈ (41)	11 ¹³ / ₁₆ (300)	1 ¹ / ₁₆ (27)	15°	25°	41.0 (18.6)
902X330	2	3 ⁵ / ₈ (92)	4 (102)	1 ⁵ / ₈ (41)	10 ¹ / ₄ (260)	1 ¹ / ₁₆ (27)	15°	25°	36.1 (16.4)
905X330	2	3 ³ / ₄ (95)	5 (127)	1 ¹³ / ₁₆ (46)	11 ³ / ₈ (289)	1 ¹ / ₁₆ (27)	15°	30°	39.6 (18.0)
921X330	2	3 ¹ / ₂ (89)	4 ¹ / ₄ (108)	1 ⁷ / ₁₆ (37)	10 ³ / ₁₆ (259)	1 ¹ / ₁₆ (27)	12°	24°	25.0 (11.4)

*See application chart below.

WRAP AROUND WELD-ON ADAPTERS



Lip Thickness	Hensley Adapter No.	Dimensions - Inches (mm)			Degree	Weight Lbs. (kgs.)
		A	B	C		
1-1/2"	158X330	10 ¹ / ₄ (260)	6 ³ / ₄ (171)	1 ⁹ / ₁₆ (40)	30°	34.3 (15.6)
1-1/2"	159X330, L.H.	10 ¹ / ₄ (260)	6 ³ / ₄ (171)	1 ⁹ / ₁₆ (40)	30°	28.6 (13.0)
1-1/2"	160X330, R.H.	10 ¹ / ₄ (260)	6 ³ / ₄ (171)	1 ⁹ / ₁₆ (40)	30°	28.6 (13.0)
1-5/8"	225X330	8 ³ / ₈ (213)	5 ¹ / ₂ (140)	1 ¹¹ / ₁₆ (43)	33°	30.4 (13.8)
1-3/4"	937X330	10 ⁵ / ₈ (270)	7 (178)	1 ¹³ / ₁₆ (46)	30°	35.3 (16.0)
1-3/4"	935X330, L.H.	10 ³ / ₈ (264)	7 (178)	1 ¹³ / ₁₆ (46)	30°	30.7 (13.9)
1-3/4"	936X330, R.H.	10 ³ / ₈ (264)	7 (178)	1 ¹³ / ₁₆ (46)	30°	30.7 (13.9)

BOLT-ON ADAPTER APPLICATIONS

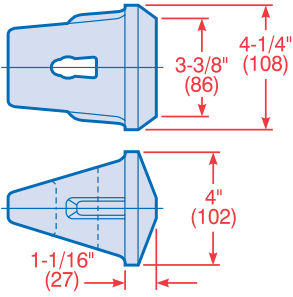
Illustrations on Flap →

Hensley Adapter No.	Type	Machine Model
142X330	Center	Komatsu D66S, D75S
143X330	L.H. Corner	Komatsu D66S
144X330	R.H. Corner	Komatsu D66S
142X330	Center	Komatsu WA350, WA380,
145X330	L.H. Corner	WA400, WA420,
146X330	R.H. Corner	WA450, WA470
743X330	Corner	John Deere 744E
744X330	Center	
901X330	Center	VME L150, L180
902X330	Center	VME L160
903X330	L.H. Corner	VME L150, L160, L180
904X330	R.H. Corner	VME L150, L160, L180
905X330	Center	VME L190
906X330	L.H./R.H. Corner	
921X330	Center	Case 921
920X330	L.H./R.H. Corner	

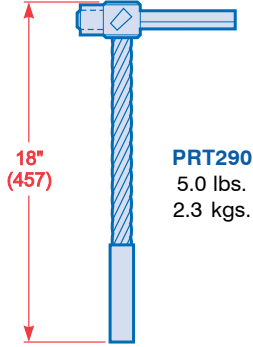
WELD-ON NOSE

PIN REMOVAL TOOL

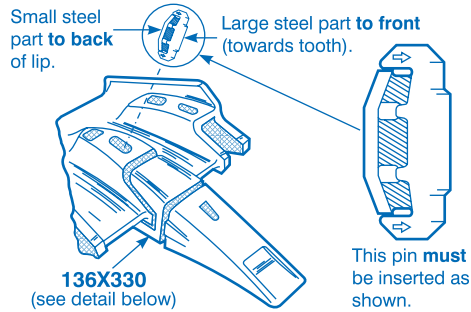
STAKE-TYPE ADAPTERS FOR HENSLEY C-19 CAST LIPS



330WN 10.9 lbs./4.9 kgs.



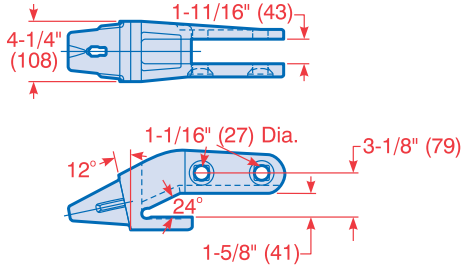
PRT290
5.0 lbs.
2.3 kgs.



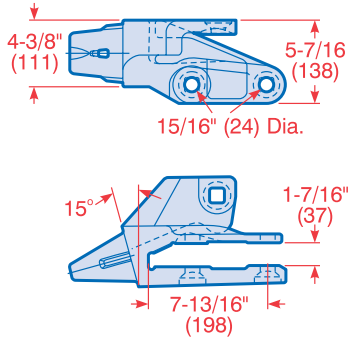
136X330
(see detail below)

CORNER BOLT-ON ADAPTERS

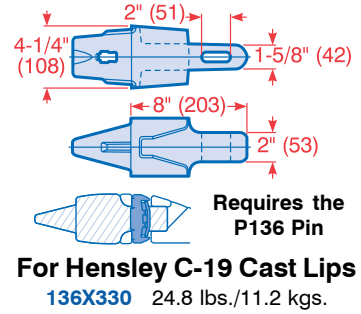
STAKE-TYPE ADAPTERS



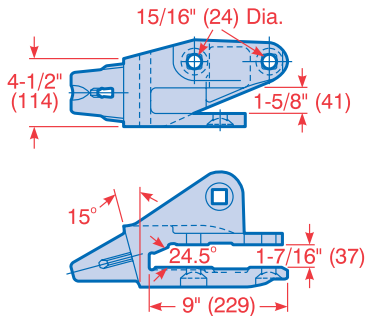
920X330 R.H./L.H. 27.0 lbs./12.2 kgs.



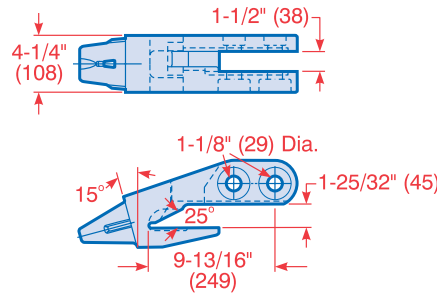
146X330 R.H. shown 33.6 lbs./15.2 kgs.
145X330 L.H. opposite



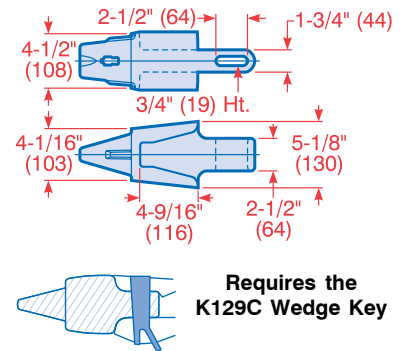
Requires the
P136 Pin
For Hensley C-19 Cast Lips
136X330 24.8 lbs./11.2 kgs.



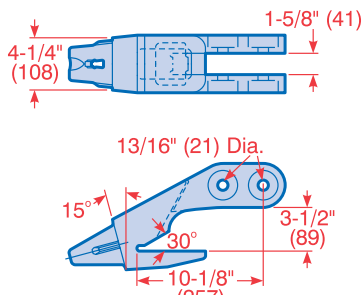
143X330 L.H. shown 34.3 lbs./15.6 kgs.
144X330 R.H. opposite



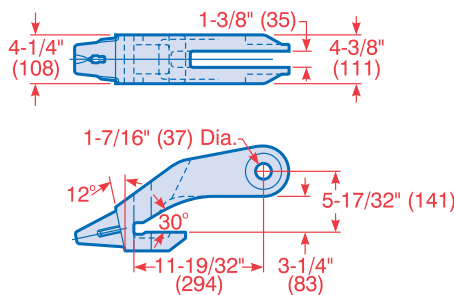
904X330 R.H. shown 44.2 lbs./20.0 kgs.
903X330 L.H. opposite



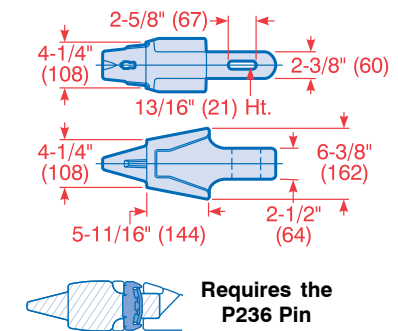
Requires the
K129C Wedge Key
For Esco C-29 Cast Lips
129X330 33.7 lbs./15.3 kgs.



906X330 R.H./L.H. 51.0 lbs./23.1 kgs.



743X330 R.H./L.H. 64.0 lbs./29.0 kgs.



Requires the
P236 Pin
For Hensley C-29 Cast Lips
236X330 47.8 lbs./21.7 kgs.

Hensley Industries, Inc.

2108 Joe Field Road Dallas, Texas 75229 U.S.A.
www.HensleyInd.com

Customer Service

United States & Canada:
Tel. 888.406.6262; Fax 888.241.3274
All Other Locations:
Tel. 972.406.6262; Fax 972.241.3274



Hensley recommends that you use a soft-faced hammer and ANSI-approved (Z87.1) eye protection while using our products.

Copyright © 2003 Hensley Industries, Inc.

This publication is protected under the copyright laws of the United States. Unauthorized duplication or distribution is prohibited.

330series0303

330 SERIES • 330 SERIES • 330 SERIES • 330 SERIES • 330 SERIES • 330 SERIES