



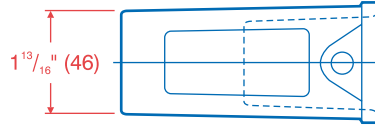
Parabolic[®] Teeth and
Adapters
Series

156 160 220

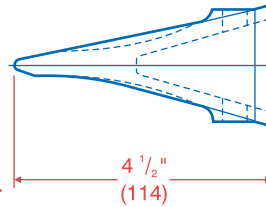
156 SERIES PARABOLIC[®] TOOTH STYLES

measurements in inches " ; mm ()

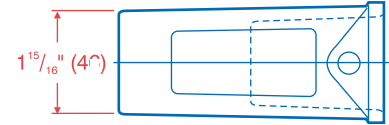
X156 Standard Tooth



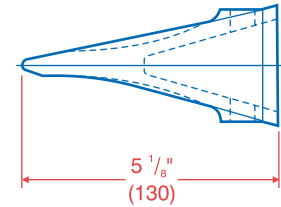
Weight
1.4 LBS.
.6 KGS.



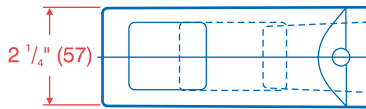
X156L Long Tooth



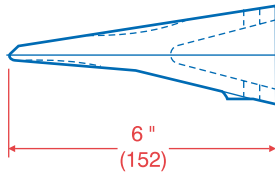
Weight
1.7 LBS.
.8 KGS.



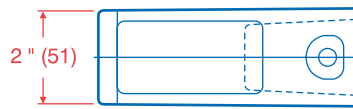
X156LP Extra Long Tooth



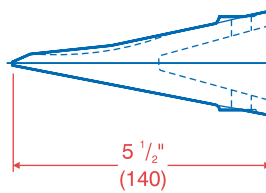
Weight
3.6 LBS.
1.6 KGS.



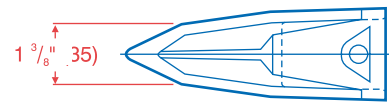
X156H Heavy Tooth



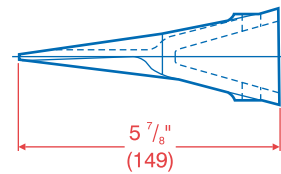
Weight
2.6 LBS.
1.2 KGS.



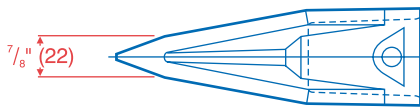
T156 Tiger Tooth



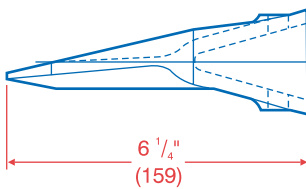
Weight
1.9 LBS.
.9 KGS.



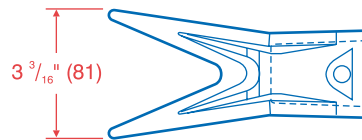
T156HD Tiger Tooth, Heavy Duty



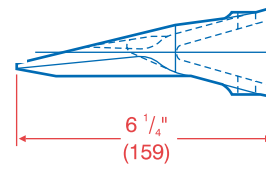
Weight
2.1 LBS.
1.0 KGS.



X156WTL Twin Tiger Tooth, Long

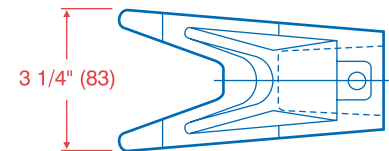


Weight
2.5 LBS.
1.1 KGS.

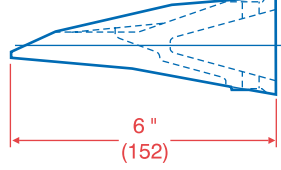


X156WTT Twin Tiger Tooth

(heavy duty tooth)



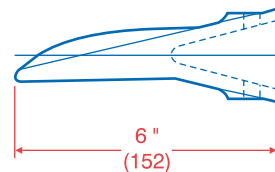
Weight
3.5 LBS.
1.6 KGS.



S156 Star Tooth



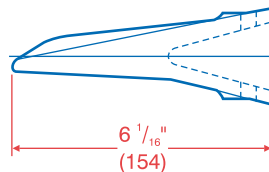
Weight
2.4 LBS.
1.1 KGS.



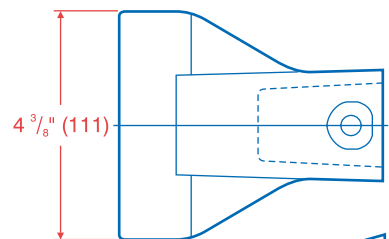
S156HD Star Tooth, Heavy Duty



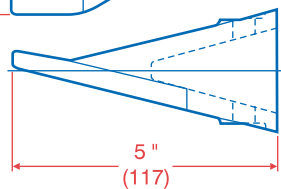
Weight
2.7 LBS.
1.2 KGS.



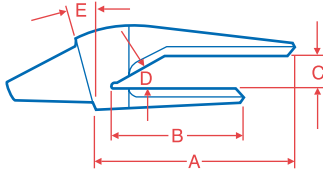
X156F Flare Tooth



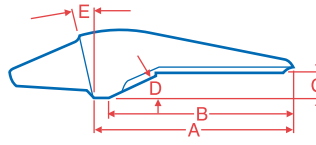
Weight
2.8 LBS.
1.3 KGS.



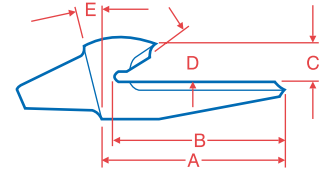
156 SERIES PARABOLIC[®] WELD-ON ADAPTERS



**Wrap Around Adapter
Type A**



**Flush Mount Adapter
Type B**

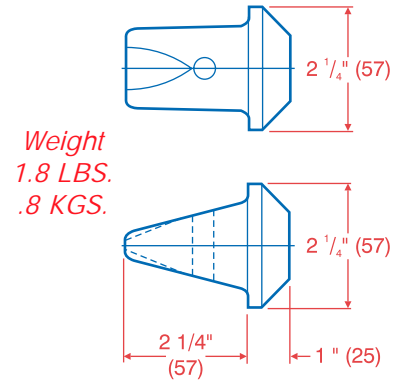
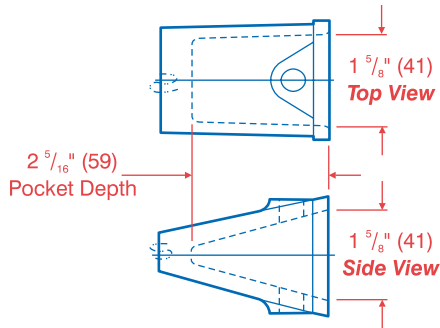


**Long Leg on Bottom Adapter
Type C**

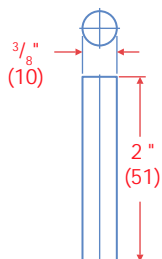
LIP THICKNESS Inches (mm)	HENSLEY ADAPTER PART NO.	TYPE	DIMENSIONS - Inches (mm)					WEIGHT	
			A	B	C	D (DEGREE)	E (DEGREE)	LBS.	KG.
5/8" (15)	230X156	A	4 7/8" (124)	1 3/4" (44)	1 1/16" (17)	30°	15°	3.7	1.7
5/8" (15)	548X156	A	4 3/4" (121)	1 7/8" (48)	1 1/16" (17)	23°	13°	4.0	1.8
7/8" (20)	549X156	A	4 3/4" (121)	2 1/8" (54)	15/16" (24)	24°	13°	4.0	1.8
1" (25)	550X156	A	6 1/4" (159)	2 3/4" (70)	1 1/8" (29)	26°	13°	4.7	2.1
3/4" (20)	552X156	A	6" (152)	3 1/2" (89)	13/16" (21)	30°	15°	5.4	2.4
3/4" - 7/8" (19 - 22)	681X156	B	5" (127)	4 1/4" (108)	13/16" (21)	30°	15°	4.2	1.9
1/2" - 9/16" (13 - 15)	805X156	C	4 3/4" (121)	4" (102)	9/16" (14)	30°	15°	4.0	1.8
3/4" - 1" (20 - 25)	834X156	C	6" (152)	4 1/2" (114)	1" (25)	35°	13°	4.5	2.0
5/8" - 7/8" (16 - 20)	835X156	C	4 3/4" (121)	4 1/8" (105)	7/8" (22)	24°	13°	3.5	1.6
3/4" - 1" (20 - 25)	836X156	C	6 1/16" (154)	4 7/8" (124)	1" (25)	20°	15°	5.0	2.3

Pocket Detail

156WN Weld-On Nose

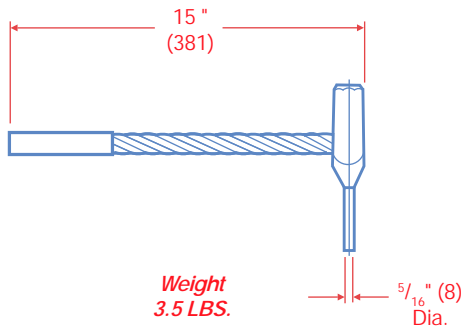


Fastener and Pin Removal Tools



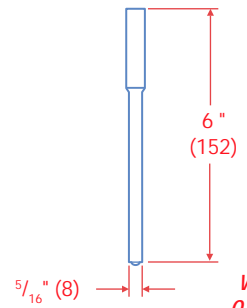
Weight
0.1 LBS.
.05 KGS.

**Roll Pin
P156**



Weight
3.5 LBS.
1.6 KGS.

**Pin Removal Tool
PRT156**



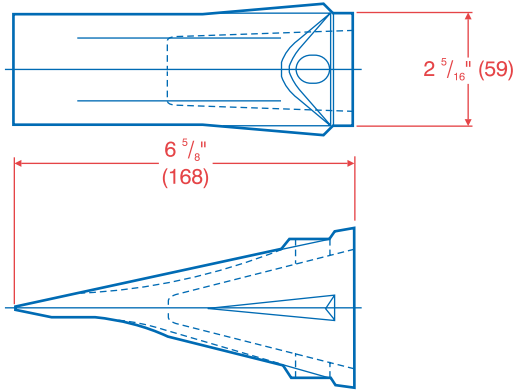
Weight
0.3 LBS.
.1 KGS.

**Pin Punch
516PU**

160 SERIES PARABOLIC[®] TOOTH STYLES

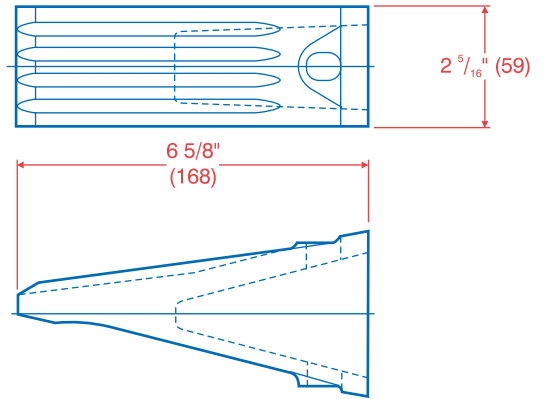
measurements in inches " ; mm ()

X160 Standard Tooth



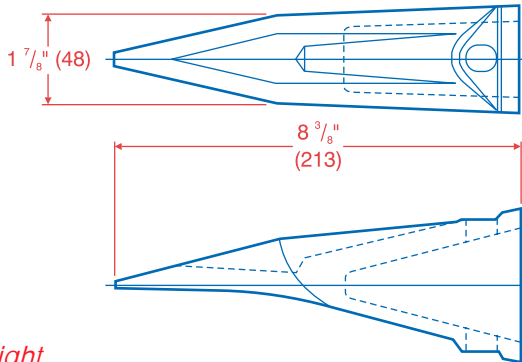
Weight
3.5 LBS.
1.6 KGS.

X160HD Heavy Duty Tooth



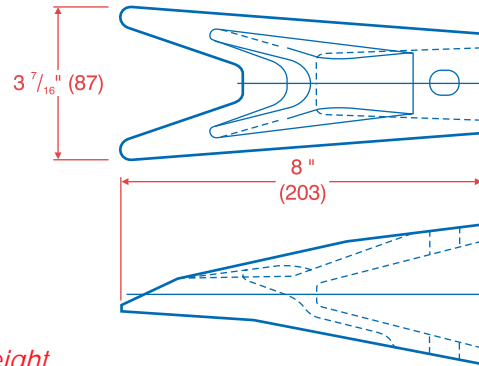
Weight
4.5 LBS.
2.0 KGS.

T160 Tiger Tooth



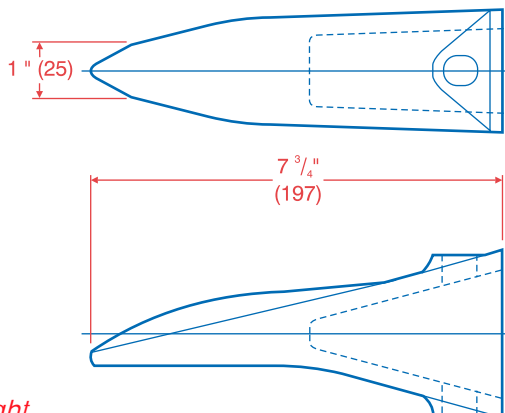
Weight
4.2 LBS.
1.9 KGS.

X160WT Twin Tiger Tooth



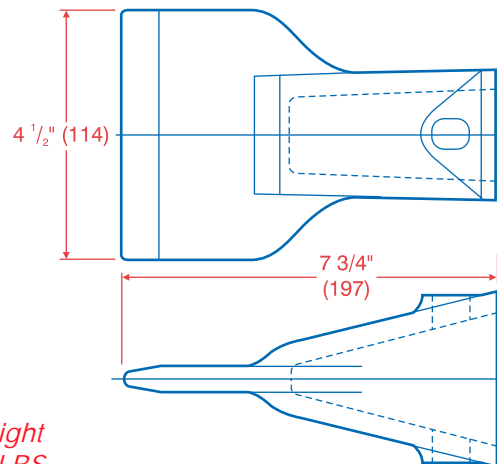
Weight
6.8 LBS.
3.1 KGS.

S160 Star Tooth



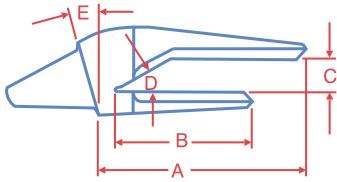
Weight
4.4 LBS.
2.0 KGS.

X160F Flare Tooth

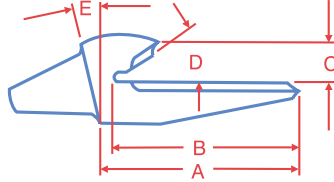


Weight
4.8 LBS.
2.2 KGS.

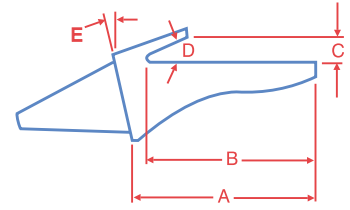
160 SERIES PARABOLIC[®] WELD-ON ADAPTERS



**Wrap Around Adapter
Type A**



**Long Leg on Bottom Adapter
Type B**

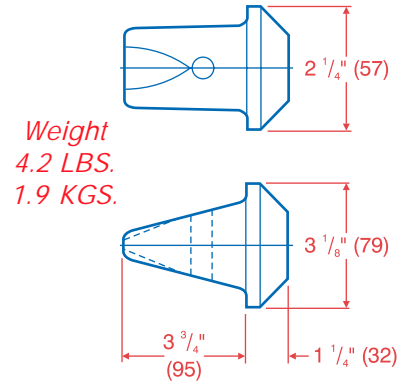
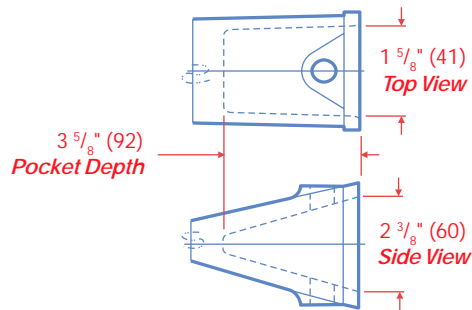


**Bottom Strap Adaptor
Type C**

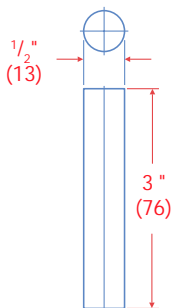
LIP THICKNESS Inches (mm)	HENSLEY ADAPTER PART NO.	TYPE	DIMENSIONS - Inches (mm)					WEIGHT	
			A	B	C	D (DEGREE)	E (DEGREE)	LBS.	KG.
1" (25)	658X160	A	8" (203)	4 3/8" (111)	1 1/16" (27)	30°	15°	10.6	4.8
1" - 1 1/4" (25 - 30)	850X160	B	6" (152)	5 1/2" (140)	1 1/4" (32)	30°	12°	7.5	3.4
3/4" - 1" (19 - 25)	928X160	C	6 3/8" (162)	5 7/8" (149)	7/8" (22)	25°	13°	10	4.5

Pocket Detail

160WN Weld-On Nose

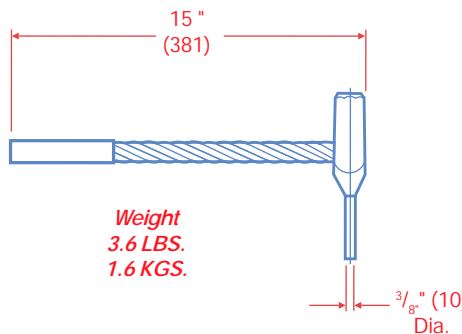


Fastener and Pin Removal Tools



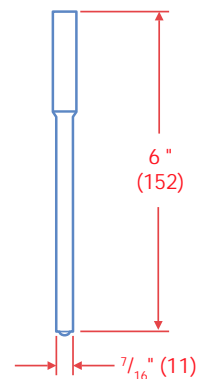
Weight
0.1 LBS.
.05 KGS.

**Roll Pin
P160**



Weight
3.6 LBS.
1.6 KGS.

**Pin Removal Tool
PRT160**



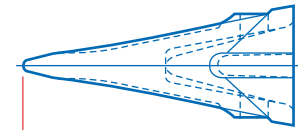
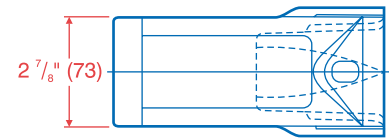
Weight
0.4 LBS.
.2 KGS.

**Pin Punch
716PU**

220 SERIES PARABOLIC[®] TOOTH STYLES

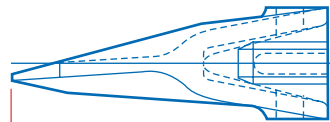
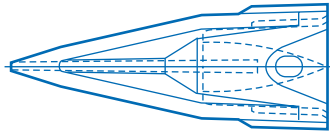
measurements in inches " ; mm ()

X220 Standard Tooth



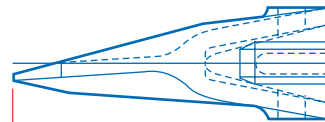
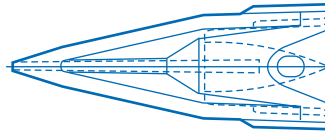
Weight
6.0 LBS.
2.7 KGS.

T220 Tiger Tooth



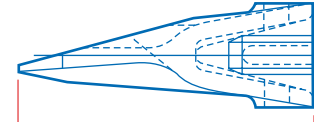
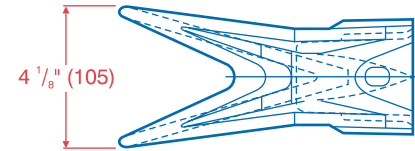
Weight
6.2 LBS.
2.8 KGS.

T220L Long Tiger Tooth



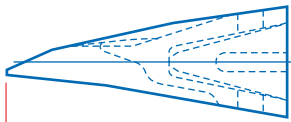
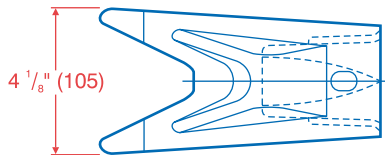
Weight
6.4 LBS.
2.9 KGS.

X220WTL Long Twin Tiger Tooth



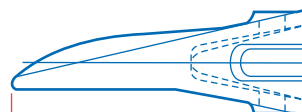
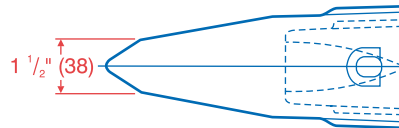
Weight
7.2 LBS.
3.3 KGS.

X220WT Tiger Tooth, Heavy Duty



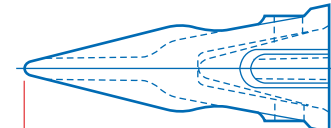
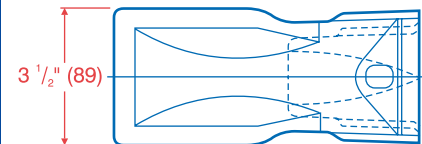
Weight
8.6 LBS.
3.9 KGS.

S220 Star Tooth



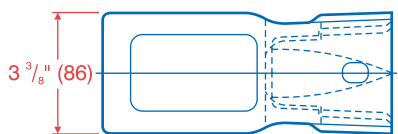
Weight
6.4 LBS.
2.9 KGS.

X220AP All Purpose Tooth



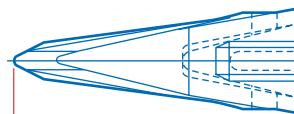
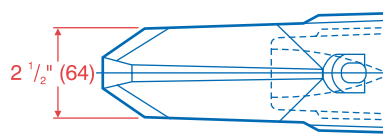
Weight
7.9 LBS.
3.6 KGS.

X220ABR Abrasion Tooth



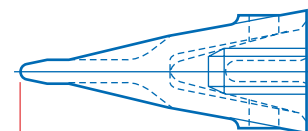
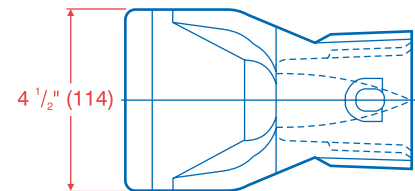
Weight
10.6 LBS.
4.8 KGS.

X220RC Rock Chisel Tooth



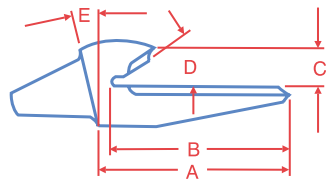
Weight
7.8 LBS.
3.5 KGS.

X220F Flare Tooth

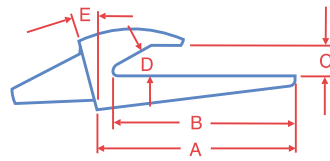


Weight
7.3 LBS.
3.3 KGS.

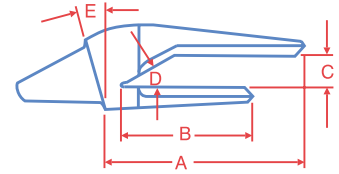
220 SERIES PARABOLIC WELD-ON ADAPTERS



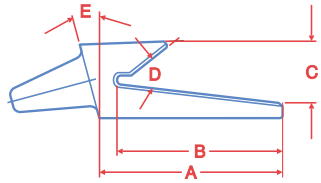
Long Leg on Bottom Adapter
Type A



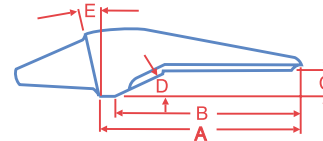
Long Leg on Bottom Adapter
Type B



Wrap Around Adapter
Type C



Wrap Around Adapter
Type D



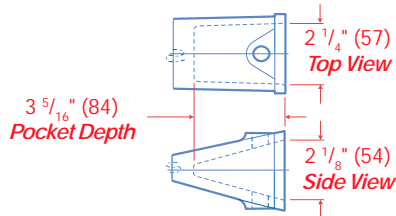
Flush Mount Adapter
Type E

LIP THICKNESS Inches (mm)	HENSLEY ADAPTER PART NO.	TYPE	DIMENSIONS - Inches (mm)					WEIGHT	
			A	B	C	D (DEGREE)	E (DEGREE)	LBS.	KG.
7/8" - 1 1/8" (20 - 25)	100X220	E	9 1/2" (241)	8 1/2" (216)	1" (25)	30°	12°	15.8	7.2
1" - 1 1/4" (25 - 30)	102X220	A	8 1/2" (216)	7 1/4" (184)	1 1/4" (32)	36°	5°	11.5	5.2
1" (25)	103X220	C	9 1/2" (241)	4 1/4" (108)	1 1/16" (27)	30°	12°	15.9	7.2
1" (25)	106X220	C	9 1/2" (241)	4 1/2" (114)	1" (25)	25°	12°	16.4	7.4
1" (25)	107X220	C*	6" (152)	5 1/4" (133)	1 1/16" (27)	30°	15°	11.5	5.2
1" (25)	108X220	C*	6" (152)	5 1/4" (133)	1 1/16" (27)	30°	15°	11.5	5.2
1 1/4" (30)	109X220	C	8 1/4" (210)	5 1/4" (133)	1 5/16" (33)	30°	15°	15.5	7.0
1 7/16" (37)	809X220	C	5 5/8" (143)	2" (50)	1 1/2" (38)	25°	20°	10.8	4.9
1 1/4" (30)	833X220	B	8 7/8" (225)	3" (76)	1 3/8" (35)	30°	15°	14.7	6.7
2" - 2 1/4" (50 - 57)	855X220	D	7 3/4" (196)	7" (177)	2 5/8" (66)	45°	15°	13.7	6.2
1 1/4" (30)	900X220	E	8 7/8" (225)	8 1/2" (216)	1 1/4" (32)	23°	15°	12.8	5.8

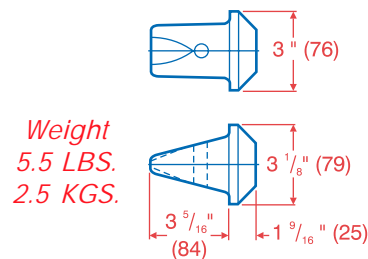
* Notched Corner Adapter
107X220 Left Hand
108X220 Right Hand (shown)



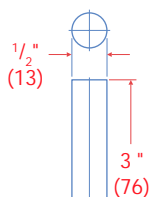
Pocket Detail



220WN Weld-On Nose

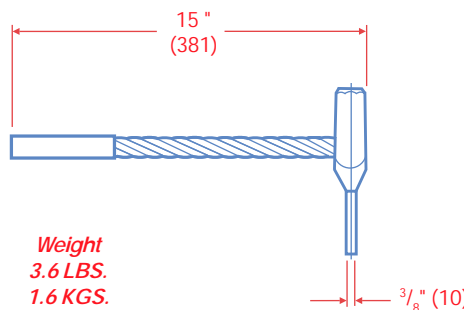


Fastener and Pin Removal Tools



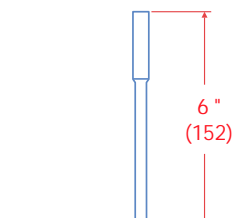
Weight
0.1 LBS.
.05 KGS.

Roll Pin
P160



Weight
3.6 LBS.
1.6 KGS.

Pin Removal Tool
PRT160



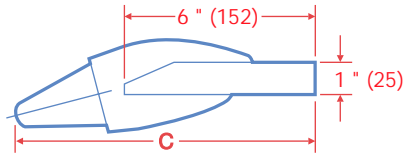
Weight
0.4 LBS.
.2 KGS.

Pin Punch
717PU

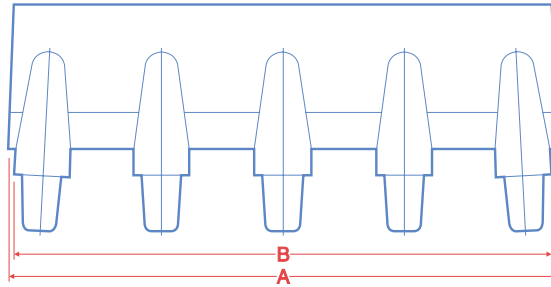
PARABOLIC[®] CAST LIPS

156 SERIES	STANDARD TOOTH	NO. OF TEETH	DIMENSIONS - Inches (mm)			WEIGHT	
			A	B	C	LBS.	KG.
12M156-12A-HX	X156H	3	12 ⁵ / ₈ " (321)	12 " (305)	9 ³ / ₄ " (248)	29.8	13.5
14M156-12A-HX	X156H	3	14 ¹ / ₄ " (321)	14 " (356)	9 ³ / ₄ " (248)	32.0	14.5
18M156-12A-HX	X156H	4	18 ⁵ / ₁₆ " (465)	15 ¹⁵ / ₁₆ " (405)	9 ³ / ₄ " (248)	44.3	20.1
24M156-12A-HX	X156H	5	24 ¹ / ₂ " (622)	23 ¹ / ₈ " (587)	9 ³ / ₄ " (248)	57.0	25.9

Generic Cast Lip Drawings



Side View All



Top View

Safety First: GH Hensley recommends that you use a soft-faced hammer and ANSI-approved (Z87.1) eye protection while using our products.

Your Authorized GH Hensley Dealer

FORM NO. 156-160-220

GH Hensley Industries, Inc. - A Galveston-Houston Company
 2108 Joe Field Road; Dallas, Texas 75229, U.S.A.
 Customer Service: Tel. (888) 406-6262; Fax (888) 241-3274