

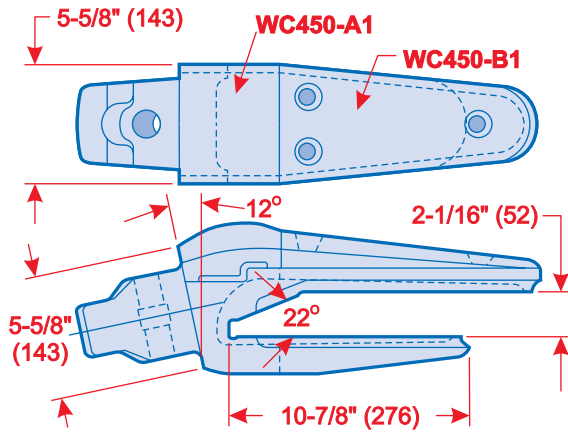


# Hensley 435 Series

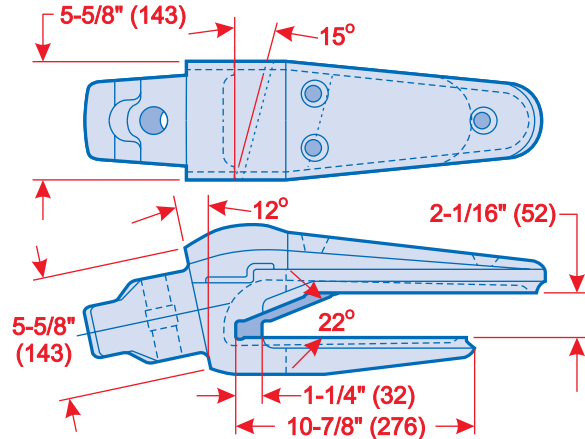


For excavators with operating weights up to 125,000 lbs.  
and loaders with breakout forces of up to 135,000 lbs.

## 2-LEG WELD-ON ADAPTER ASSEMBLIES\*



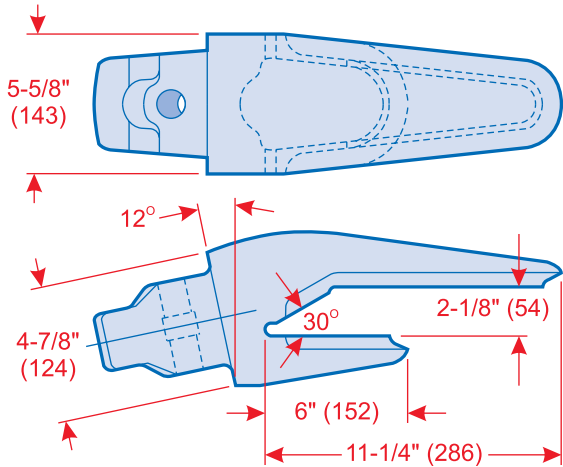
**A464X435 (CENTER)**  
86.5 lbs./39.2 kgs.



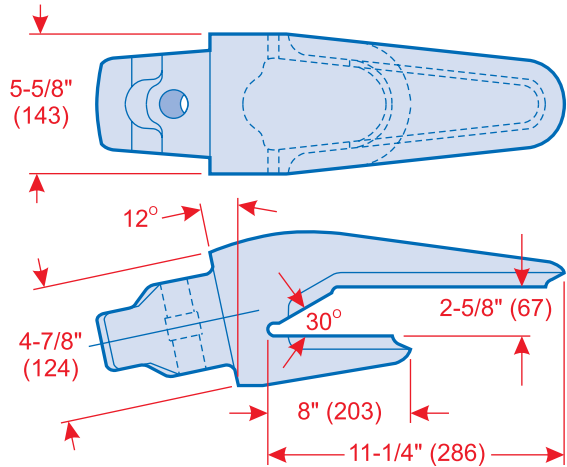
**A465X435 (RH, SHOWN)**  
A466X435 (LH, OPPOSITE) 86.0 lbs./39.0 kgs.

\*2-PIECE WELD-ON WEAR CAP INCLUDED

## 1-1/2 LEG WELD-ON ADAPTERS

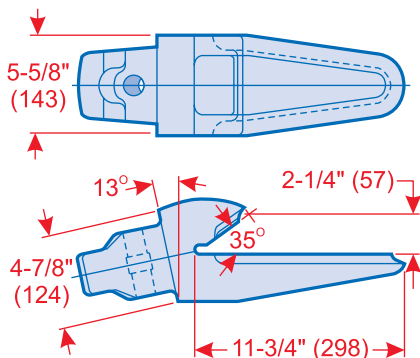


**940X435**  
62.0 lbs./28.1 kgs.



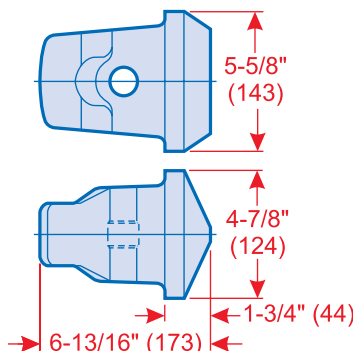
**303X435**  
66.0 lbs./29.9 kgs.

## BOTTOM LEG WELD-ON



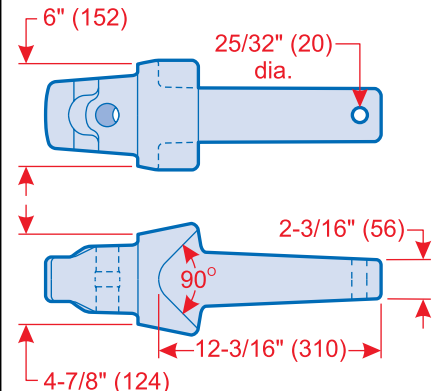
**827X435**  
58.0 lbs./26.3 kgs.

## WELD-ON NOSE



**435WN**  
25.8 lbs./11.7 kgs.

## STAKE TYPE ADAPTER



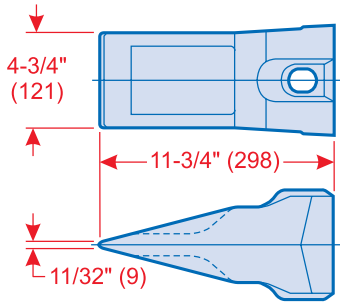
**752X435**  
59.0 lbs./26.8 kgs.

All dimensions are in inches (millimeters).

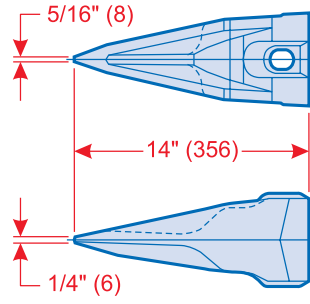
The 435 Series is now available for Hensley's BladeSaver® complete lip system for loader buckets.

SAFETY FIRST: Hensley recommends that you use a soft-faced hammer and ANSI-approved (Z87-1) eye protection while using our products.

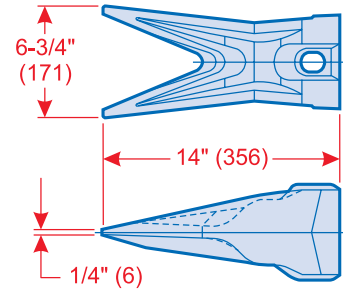
## 435 SERIES TEETH



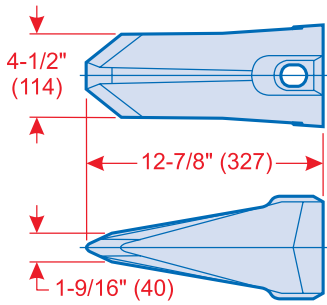
**STANDARD**  
435 29.5 lbs./13.4 kgs.



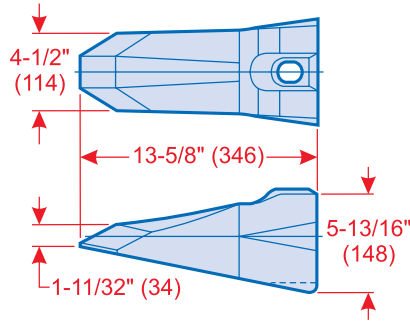
**TIGER**  
T435 29.1 lbs./13.2 kgs.



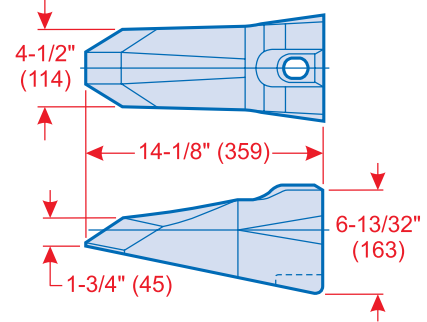
**TWIN TIGER**  
435WT 33.3 lbs./15.1 kgs.



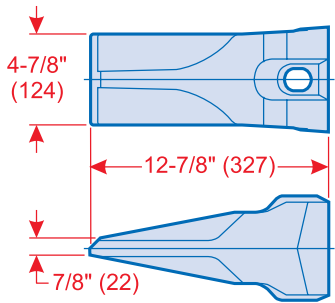
**ROCK CHISEL**  
435RC 34.9 lbs./15.8 kgs.



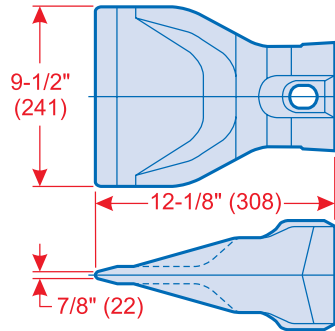
**ROCK PENETRATOR**  
435RP2 43.7 lbs./19.8 kgs.



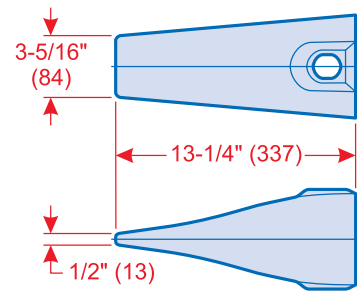
**ROCK PENETRATOR, HEAVY**  
435RP3 56.0 lbs./25.4 kgs.



**SHARP, RIBBED**  
435SYL 32.1 lbs./14.6 kgs.

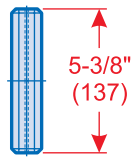


**FLARE**  
435F 38.5 lbs./17.5 kgs.

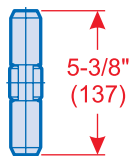


**ROCK TOOTH**  
435CRT 34.7 lbs./15.7 kgs.

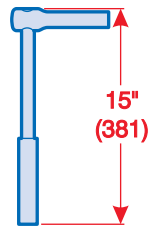
## TOOTH FASTENERS PIN REMOVAL TOOLS



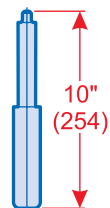
**SLOTTED PIN**  
P435SL  
1.2 lbs./0.5 kgs.



**STEEL PIN WITH SNAP RING**  
P435  
1.8 lbs./0.8 kgs.

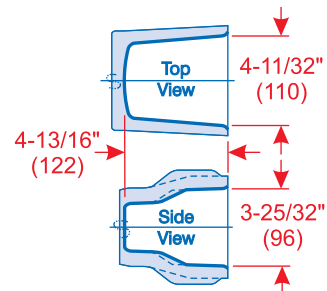


**REMOVAL TOOL FOR P435 & P435SL**  
PRT435



**REMOVAL TOOL FOR P435SL**  
P435SLRT

## POCKET DETAIL



**YOUR AUTHORIZED HENSLEY DEALER**

435series0303

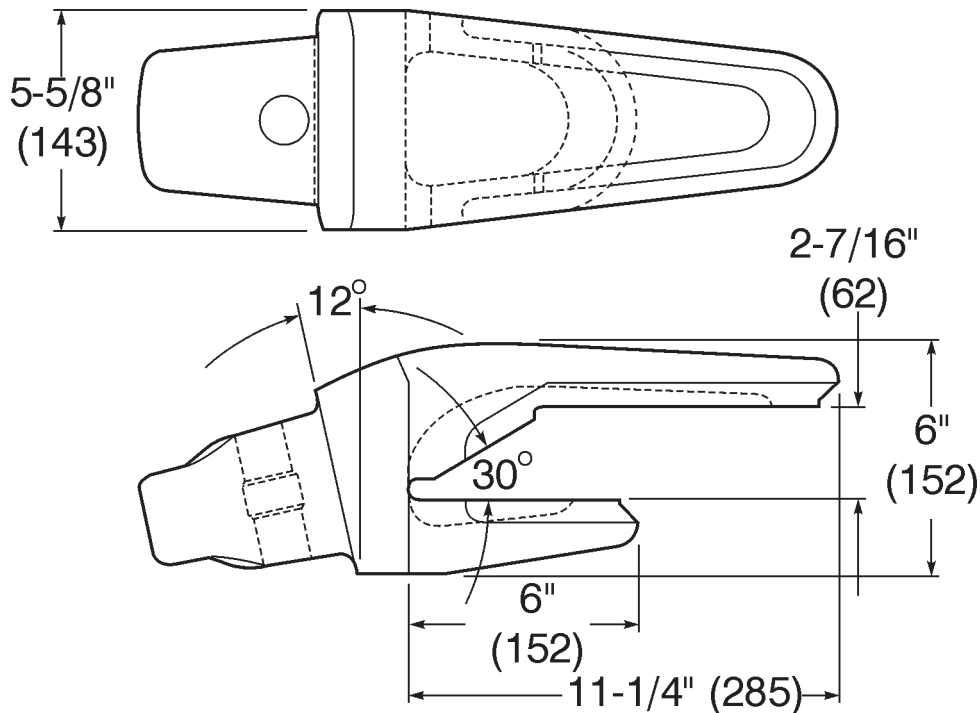


Hensley Industries, Inc. 2108 Joe Field Road Dallas, Texas 75229, U.S.A. [www.hensleyind.com](http://www.hensleyind.com)  
Customer Service: 888.406.6262 U.S. & Canada 972.406.6262 all other locations

Copyright © 2003 Hensley Industries, Inc. This publication is protected under the copyright laws of the United States. Unauthorized duplication or distribution is prohibited.

**NEW**

## WELD-ON ADAPTER



**PART #:** 160M435

**DESCRIPTION:** ADAPTER, WELD-ON

**WEIGHT:** 61 LBS (27.7 KGS)

**SPECIFICS:** 1-1/2 leg (long leg on top) weld on adapter using 435 Hensley proprietary series teeth. For use on a 60mm straight lip with a 30 degree bevel.

### Hensley Customer Service

Toll Free US / Canada  
Phone: (888) 406 - 6262  
Fax: (888) 241 - 3274

[www.hensleyind.com](http://www.hensleyind.com)

All Other Locations  
Phone: (972) 406 - 6262  
Fax: (972) 241 - 3274

**SAFETY FIRST:** Hensley Industries recommends that you use a soft-faced hammer and ANSI-approved (Z87.1) eye protection when using our products.

Copyright © 2002 Hensley Industries, Inc. This publication is protected under the copyright laws of the United States. Unauthorized duplication or distribution is prohibited.