



BLACK CAT
WEAR PARTS

RIPPER & SCARIFIER

Teeth, Shanks & Protectors



Black Cat Direct Replacement Ripper & Scarifier parts are manufactured using our HighSpec Alloy steel and heat treated to precise specifications. Computer design and analysis is employed in the development stages to ensure proper fitment and optimum strength for every part. Efficient processes and “state of the art” foundry practices allow for competitive pricing of quality parts. In house metallurgical staff and testing facilities ensure quality and consistency in all of our finished products. The results are quality wear parts that offer value to the customer every time.

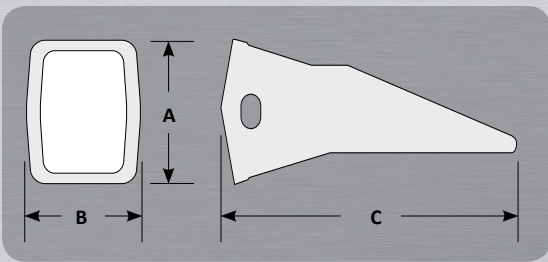
250.0816

TEETH & ADAPTERS



www.BlackCatWearParts.com sales@blackcatwearparts.com Toll Free: 1.800.661.6666 Ph: 780.465.6666 Fax: 780.465.9595

Caterpillar® and other identities and/or trademarks referred to in this publication are the registered marks of the entities noted herein. The use of any trademarks of others than Black Cat Blades Ltd. are solely and exclusively for identification, informational, comparative, and descriptive purposes. Black Cat Blades Ltd. is not affiliated with any owner of such registered marks and does not make, use, or sell any products manufactured by any such entity identified in this publication.



9W4552



198-78-21340



395R18B

Ripper Teeth for Caterpillar® Applications

Part Number	Description	Weight	Model or Family	A	B	C
6Y0309	R300 Penetration	12.3 lbs	D5M, N, 160H, 163, 14, 140, 143H, 12	4.19"	3.31"	11.50"
6Y0359	R350 Penetration	28.0 lbs	D7R, D6K, M, N, D5M, N, 24H, 16, 160H, 163, 14, 140, 143H, 130, 12	5.81"	4.75"	14.13"
6Y0352	R350 Centerline	26.0 lbs		5.82"	4.73"	14.00"
4T5451	R450 Penetration - Short	36.0 lbs	D9H, N, R, T, D8N, K, L, R, T	6.83"	5.58"	12.86"
4T5452	R450 Penetration - Intermediate	41.0 lbs		6.81"	5.63"	15.63"
9W2451	R450 Centerline - Short	40.6 lbs		6.77"	5.63"	12.88"
9W2452	R450 Centerline - Intermediate	49.0 lbs		6.75"	5.63"	15.00"
1140453	R450 Centerline - Long	55.0 lbs		6.77"	5.63"	16.65"
4T5501	R500 Penetration - Short	54.9 lbs	D11N, R, D10N, R, T, D9L, R, T,	8.60"	6.16"	15.00"
4T5502	R500 Penetration - Intermediate	67.0 lbs		9.25"	6.50"	16.75"
4T5503	R500 Penetration - Long	67.0 lbs		9.25"	6.44"	18.50"
4T4501	R500 Centerline - Short	54.9 lbs		8.62"	6.17"	14.76"
4T4502	R500 Centerline - Intermediate	59.4 lbs		8.60"	6.16"	16.50"
8E8503	R500 Centerline - Long	75.0 lbs		9.24"	6.49"	19.00"
6Y3552	R550 Penetration - Intermediate	103.0 lbs	D11N, R	10.93"	6.84"	21.25"
9W4551	R550 Centerline - Short	93.0 lbs		11.15"	7.36"	17.63"
9W4552	R550 Centerline - Intermediate	108.0 lbs		11.15"	7.36"	21.25"

Ripper Teeth for Komatsu® Applications

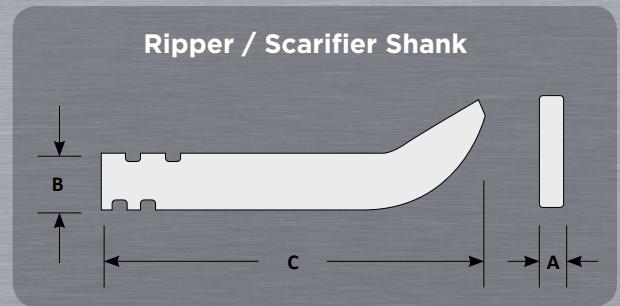
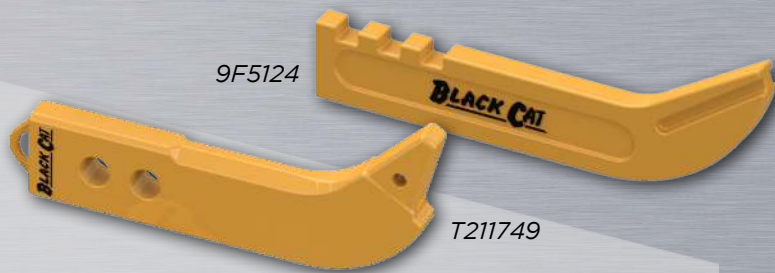
Part Number	Description	Weight	Model or Family	A	B	C
141-78-11253	Non-Centerline	25.8 lbs	D60, D61, D65, D75	6.41"	4.81"	11.00"
175-78-31230	Centerline	31.5 lbs	D85, D135, D150, D155	6.71"	4.75"	13.19"
195-78-21331	Centerline	35.7 lbs	D275, D355	7.71"	4.88"	14.50"
195-78-71320	Non-Centerline	54.7 lbs	D375	8.47"	5.12"	16.50"
195-78-71350	Centerline	56.4 lbs		8.14"	5.00"	18.50"
198-78-21340	Non-Centerline	83.6 lbs	D475	9.86"	6.08"	20.08"
198-78-21370	Centerline	79.5 lbs		9.45"	6.13"	17.50"
19M-78-11341	Centerline	87.2 lbs	D575	9.61"	7.74"	19.53"

Ripper Teeth for Esco® Applications

Part Number	Description	Weight	Model or Family	A	B	C
22R10	Non-Centerline Rib	8.5 lbs	Esco® 22R Rippers	3.64"	3.35"	10.66"
25R12	Non-Centerline Rib	13.7 lbs	Esco® 25R Rippers	4.48"	3.83"	12.05"
35-R15	Non-Centerline	32.1 lbs	Esco® 35-5R Rippers	6.51"	4.92"	15.50"
39-5R18B	Non-Centerline Rib	48.8 lbs	Esco® 39-5R Rippers	7.53"	6.12"	18.12"

Scarifier Tips

Part Number	Description	Weight	Model or Family	A	B	C
6Y5230	Grader Scarifier	3.4 lbs	Replaces 2D5572	1.44"	1.91"	7.13"
6Y5230LP	Long Scarifier	3.8 lbs		1.90"	1.87"	8.50"
9937	Ripper Tooth	7.3 lbs	All Champion® and Volvo® Graders	0.06"	3.66"	8.98"

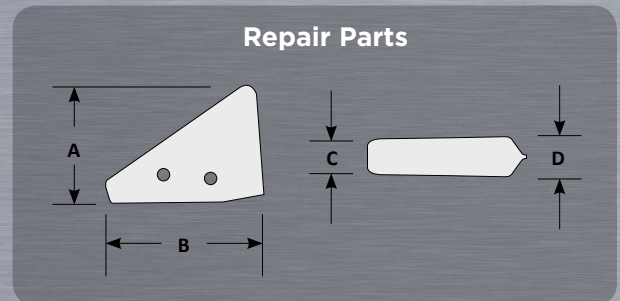


Scarifier Shanks

Part Number	Description	Weight	Model or Family	A	B	C
101	Scarifier Shank	12.6 lbs	Universal	1.00"	3.00"	17.25"
104	Scarifier Shank	14.5 lbs	Universal	1.00"	3.00"	20.00"
5B6251	Scarifier Shank	9.5 lbs	Rear Notch	1.00"	2.50"	15.13"
9F5124	Scarifier Shank	12.6 lbs	Front Notch	1.00"	3.00"	17.25"
9F5124BS	Scarifier Shank	12.6 lbs	Rear Notch	1.00"	3.00"	17.25"
8110	Scarifier Shank	13.9 lbs	Front Notch	0.94"	3.00"	16.94"
H920-23	Scarifier Shank	6.6 lbs	Front Notch	0.72"	2.50"	13.56"
5K1459	Scarifier Pin	0.6 lbs	Universal	0.69"	1.00"	4.50"

Ripper Shanks

Part Number	Weight	Model or Family	A	B	C	Hole Size
9J6586	63.7 lbs	D4, D5, 12, 120, 130, 14, 140, 16, 160	2.25"	5.38"	21.34"	1.87"
1380797 (9J3139)	122.6 lbs	D5, D6, D7, 24H	2.92"	6.87"	28.40"	2.16"
T211749	77.8 lbs	450J, 550J, 650J, 670, 672, 770, 772, 870, 872	2.25"	5.38"	24.39"	1.87"
9934	64.8 lbs	Champion®/Volvo® graders	1.77"	8.55"	23.51"	1.61"



Ripper Repair Parts

Part Number	Description	Weight	Model or Family	A	B	C	D	Holes
8E7300	R300 Replacement Nose	6.0 lbs	D4, D5, 12, 120, 130, 14, 140, 16, 160	3.44"	5.31"	2.00"	2.19"	1
8E7350	R350 Replacement Nose	12.0 lbs	D5, D6, D7, 24H	4.44"	6.63"	2.63"	2.94"	1
8E8418	R450 Quarter Shank	156.0 lbs	D8,D9	12.75"	17.42"	2.98"	3.24"	3
9U9694	R450 Replacement Nose	43.0 lbs		8.00"	12.25"	2.94"	2.88"	2
103 8115	R500 Quarter Shank	167.0 lbs		12.61"	20.47"	3.06"	3.94"	2
103 8114	R500 Replacement Nose	97.0 lbs	D9, D10, D11	10.56"	17.44"	3.06"	3.94"	2
107 3361	R500 Replacement Nose	96.0 lbs		11.06"	15.13"	3.06"	3.94"	2
104 9279	R550 Quarter Shank	276.0 lbs		D11	16.26"	24.03"	3.31"	4.38"
22RN	Replacement Nose	13.1 lbs	Esco® 22R Rippers	5.79"	6.72"	1.51"	3.06"	1
25RWN	Replacement Nose	18.1 lbs	Esco® 25R Rippers	6.00"	7.44"	1.76"	3.58"	1
35-5RWN	Replacement Nose	44.1 lbs	Esco® 35-5R Rippers	8.63"	10.35"	2.26"	4.78"	1
39-5RWN	Replacement Nose	58.8 lbs	Esco® 39-5R Rippers	9.69"	3.14"	2.38"	5.02"	1

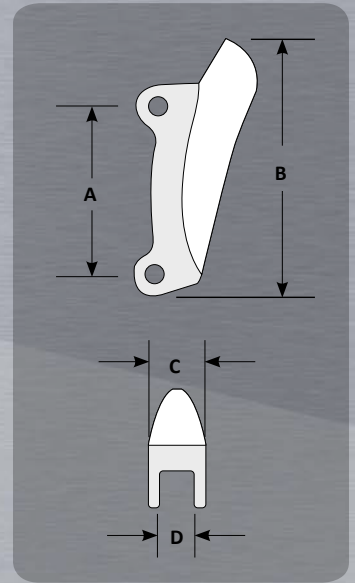


9N4621

132 4716

138 0796

195-78-71110



Ripper Shank Protectors for Caterpillar® Applications

Part Number	Description	Weight	Model or Family	A	B	C	D
138 0796	R350 1 Pin Standard Protector	21.0 lbs	D5, D6, D7, 24H	-	12.75"	4.30"	3.05"
8E1848	R450 2 Pin Sharp Protector	56.0 lbs	D8/D9	12.25"	19.13"	5.00"	3.25"
132 4716	R450 2 Pin Standard Protector - Extended	54.0 lbs		12.31"	27.11"	4.88"	3.19"
6J8814EXT	R450 2 Pin Standard Protector - Extended	51.0 lbs		12.25"	23.00"	4.75"	3.13"
6J8814	R450 2 Pin Standard Protector	27.0 lbs		12.25"	17.00"	4.25"	3.13"
9W8365EXT	R500 2 Pin Sharp Protector - Extended	101.0 lbs	D9/D10	16.00"	34.38"	5.75"	3.63"
1U3644	R500 1 Pin Standard Protector	90.0 lbs		-	29.00"	5.25"	4.13"
132 1015	R500 2 Pin Sharp Protector - Extended	185.0 lbs	D10/D11	15.62"	34.25"	6.50"	4.38"
6Y8960	R500 2 Pin Sharp Protector	40.0 lbs		15.62"	22.06"	5.50"	4.38"
132 1016	R550 2 Pin Sharp Protector - Extended	241.0 lbs	D11	23.16"	36.60"	7.19"	4.75"
9N4621	R550 2 Pin Sharp Protector	157.0 lbs		23.24"	28.77"	6.31"	4.75"

Ripper Shank Protectors for Komatsu® Applications

Part Number	Description	Weight	Model or Family	A	B	C	D
195-78-21320	2 Pin Standard Protector	31.0 lbs	D155, D275, D355	13.56"	16.56"	4.50"	3.13"
195-78-21580	2 Pin Standard Protector - Extended	50.0 lbs		13.56"	27.25"	4.50"	3.13"
195-78-71110	2 Pin Standard Protector	69.0 lbs	D375	18.38"	21.48"	5.20"	3.25"
195-78-72410	2 Pin Standard Protector - Extended	101.0 lbs		18.38"	33.72"	5.50"	3.25"
198-78-21330	2 Pin Standard Protector	100.0 lbs	D475	16.75"	21.53"	5.75"	4.20"
198-78-21390	2 Pin Standard Protector - Extended	140.0 lbs		16.75"	35.36"	5.75"	4.20"

www.BlackCatWearParts.com