

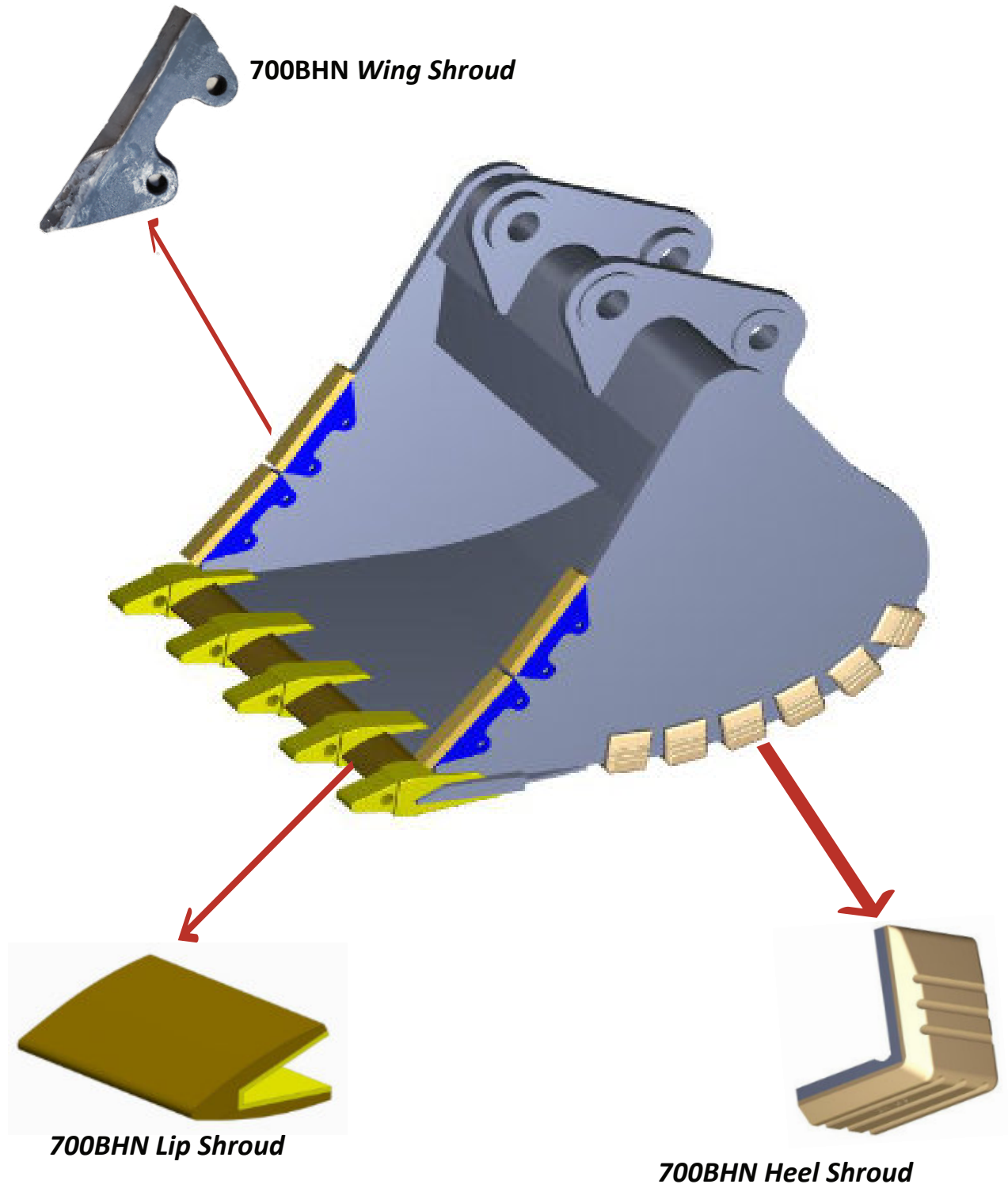


**Wear Management Solutions**  
**Bi-Struct™ 700BHN Bucket Shrouds**

ON-Mississauga, Bracebridge, Ottawa, North Bay,  
Sudbury, Timmins • QC-Boisbriand, Lévis, Val-d'Or  
• NB-Moncton • NS-Dartmouth

[WWW.CRDCREIGHTON.COM](http://WWW.CRDCREIGHTON.COM)

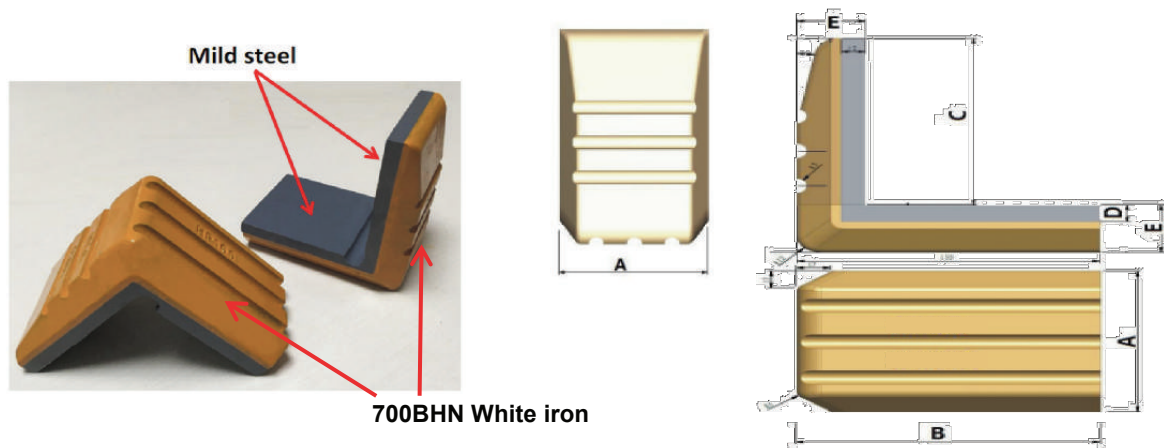
# Bi-Struct™ 700BHN Bucket Shrouds



## Bi-Struct™ 700BHN Heel Shrouds

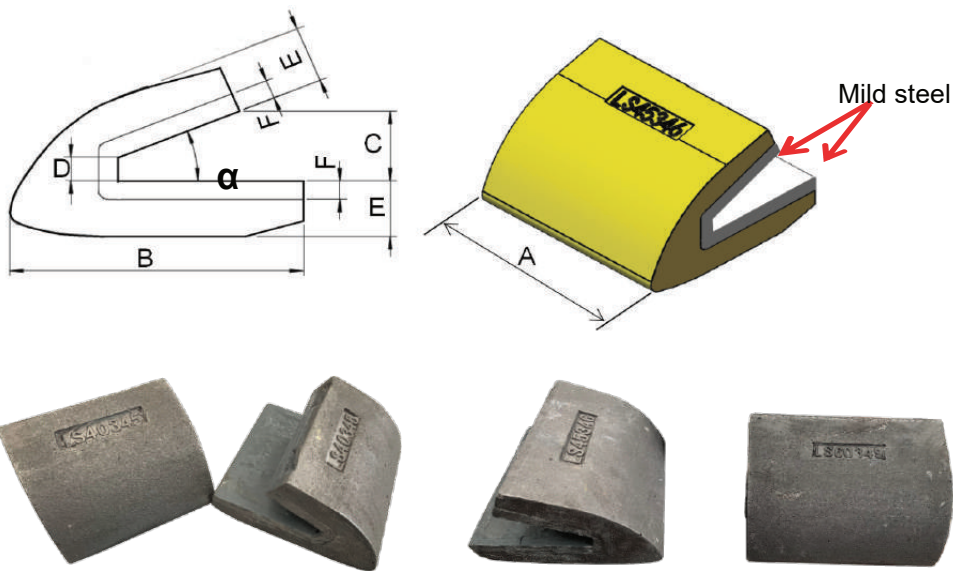
Part No.	Wght(kg)	A(mm)	B(mm)	C(mm)	D(mm)	E(mm)	Shroud shape
HP100	6.3	101	150	120	12	34	Straight
HP113	10.4	130	200	135	12	34	Straight
HP116	16.5	160	250	150	14	36	Straight
HP117	13.6	175	205	120	14	36	Straight
HP118	18.5	180	195	135	14	36	Straight
HP119	22	190	275	165	14	36	Straight
HP122	29.5	220	300	180	14	38	Straight
HP125	43	250	350	195	16	42	Straight

HP190	15	190	200	110	18	45	Curved
HP250	25	190	250	100	18	55	Curved
HP300	45	250	300	150	18	55	Curved



## Bi-Struct™ 700BHN Lip Shrouds

Part No.	Wght(kg)	A(mm)	B(mm)	C(mm)	D(mm)	E(mm)	F(mm)	$\alpha(^{\circ})$
LS80352	32	200	200	80	30	50	16	30°
LS75351	30	200	200	75	25	50	16	30°
LS70350	28	200	200	70	25	50	16	30°
LS60349	18	225	175	60	20.5	36	12	22.5°
LS60342	9	112	175	60	20.5	36	12	22.5°
LS50347	15	200	175	50	17.5	36	12	22.5°
LS50341	7.5	100	175	50	17.5	36	12	22.5°
LS45346	13	180	175	45	15.5	36	12	22.5°
LS40345	11.3	160	175	40	14	36	12	22.5°



## Bi-Struct™ 700BHN Wing Shrouds

OEM Part No.	Weight (kg)	Height of white iron A (mm)
112-2489BS	18.5	35
166-2877BS	19.5	41

