

BC - BEACH CLEANER

SIMEX
HEAVY MADE EASY



BC

BEACH CLEANER

BC 200

PRODUCTS



Recycling
e cleaning

APPLICATION FIELDS



Mini Esc.



Escavator



Ssl



Front loader



Backhoe loader

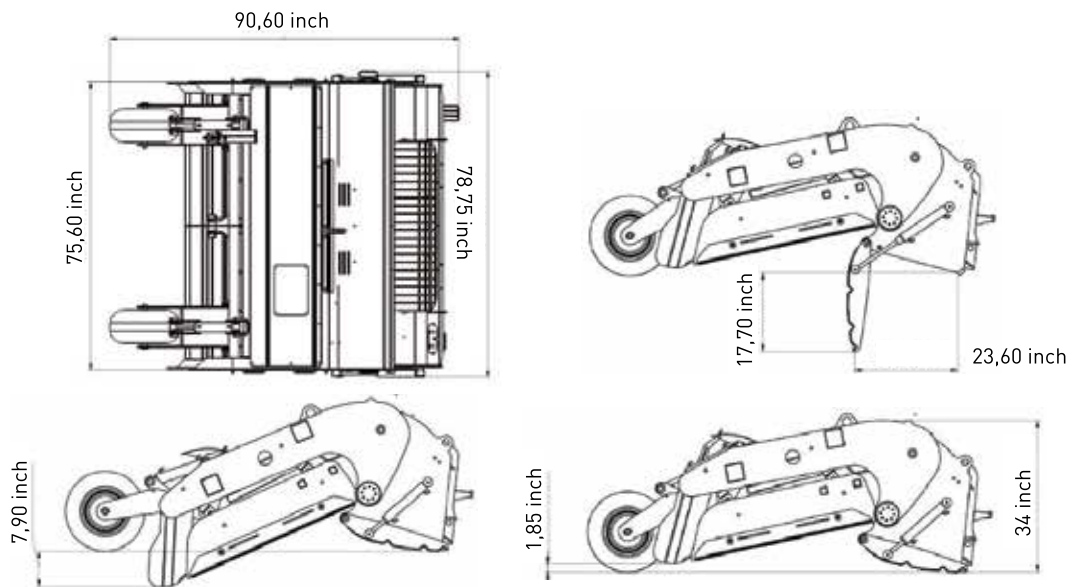
COMPATIBILITY



The Simex BC Beach Cleaner is ideal for both wet and dry sand/soil. The operator can sift the sand/soil quickly and collect debris as small as cigarette stubs in the hopper. The debris can then be easily dumped into a truck, thanks to the high discharge capability and hydraulic hopper gate. Start/stop sifting, working depth control, and hopper opening activated by electro-hydraulic valve from the cabin. Hitch for skid steer loaders meets SAE standard.

Quick change of sifters with different-sized screening grates (optional: 0.8 x0.6 inch and 0.8x0.8inch).

Optical control of working depth (0-8inch).



	BC200	
Hopper capacity	92.50	gal
Weight	1455	lbs
Pressure	4061	Max psi
Oil flow	32	Max gpm
Electric system	12	volt

