

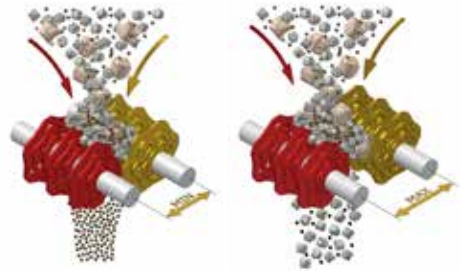
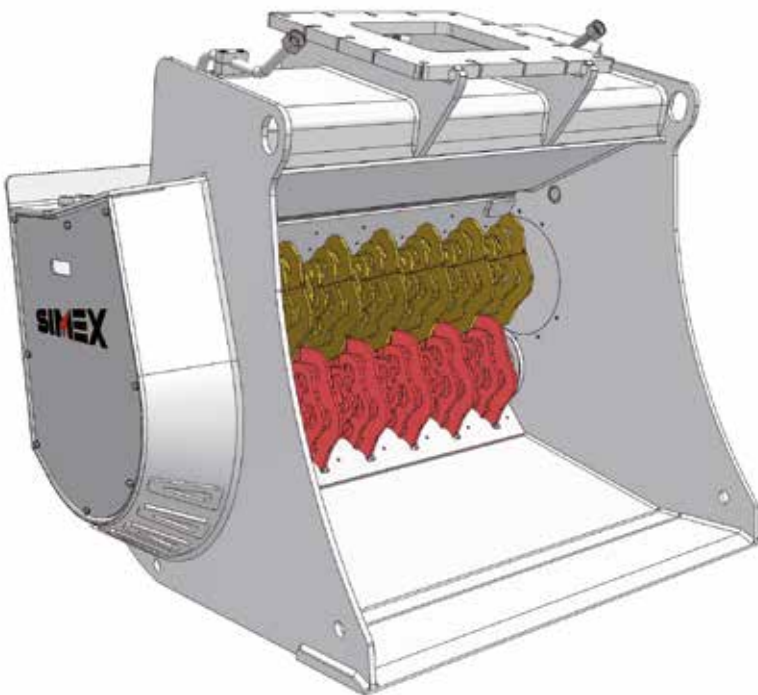


SCREENING BUCKETS



SCREENING BUCKETS WITH HYDRAULIC OUTPUT ADJUSTMENT

SIMEX
PATENT





SCREENING BUCKETS



QUICK ADJUSTMENT OF OUTPUT SIZE FROM CABIN

The Simex-patented mechanism allows the screening buckets shafts to be distanced or closed by means of a hydraulic system. This feature makes it possible to vary the output size of the screened material in only seconds via an operator control directly in the cabin.

BIG INCREASE IN PRODUCTIVITY

Shafts are composed of elements with varyingsized disks, whose differentiated peripheral speed produces an intense whirling of the material to be screened.

EASY LOADING, EASILY REPLACEABLE SCREENING ELEMENTS

Wide mouth, shaped as standard bucket. Different screening element designs available for a variety of materials. Tool replacement is fast and requires no shaft disassembly.

	VSE 10	VSE 20	VSE 30	VSE 40	
RECOMMENDED EXCAVATOR WEIGHT (1) (2)	17500 - 29000	26000 - 40000	35000 - 66000	66000 - 99000	lbs
OUTLET WIDTH	34	43	50	43	inch
TOTAL WIDTH	47	58	65	63	inch
BUCKET CAPACITY (SAE)	0,52	0,92	1,30	2,35	yd ³
SCREENING AREA	0,74	0,96	1,14	1,63	yd ²
SHAFT TRAVEL	1,6	1,6	1,6	1,6	inch
NUMBER SCREENING SHAFTS	2	2	2	3	n°
OPERATING WEIGHT (EMPTY)	1980	2800	3950	5500	lbs
REQUIRED OIL FLOW	24 - 33	27 - 40	44 - 58	48 - 58	gpm
REQUIRED OIL PRESSURE	3600 - 2320	3600 - 2320	3600 - 2320	3600 - 2320	psi



(1) The maximum operating load permitted for the excavator, when added to the weight of the standard bucket, must match or exceed the weight of the screening bucket at full load.
 (2) User is responsible for ensuring that the equipment meets the excavator's specifications and weight requirements.
 (3) Without mounting bucket.