

ECOVOLVE ED1500 ELECTRIC DUMPER

TECHNICAL DATA



CAPACITY:

Max safe load	3300 Lb
Unladen weight	3300 Lb
Skip -Leveled	20.3 Cubic feet
-Heaped	28.2 Cubic feet
-Water level	121 Gallons

HYDRAULIC SYSTEM:

Gear Pump	
-Flow rate	1.72 Gallon / Min
-Oper. pressure	2100 PSI
Pump Motor	2.2 KW
Hydraulic tank capacity	1.32 Gallons

DRIVE:

	One wheel drive
	One wheel steer
Speed	0-5 Mph
Steering angle	90°
Grade-ability	15°

ELECTRIC SYSTEM:

Voltage	24V
Battery	400Ah
Integrated Charging	Input 100-240V AC
	Output 24V DC
Recharge	8Hrs

TRANSMISSION:

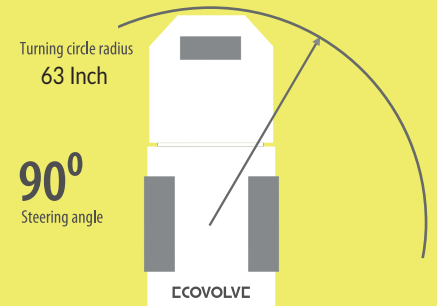
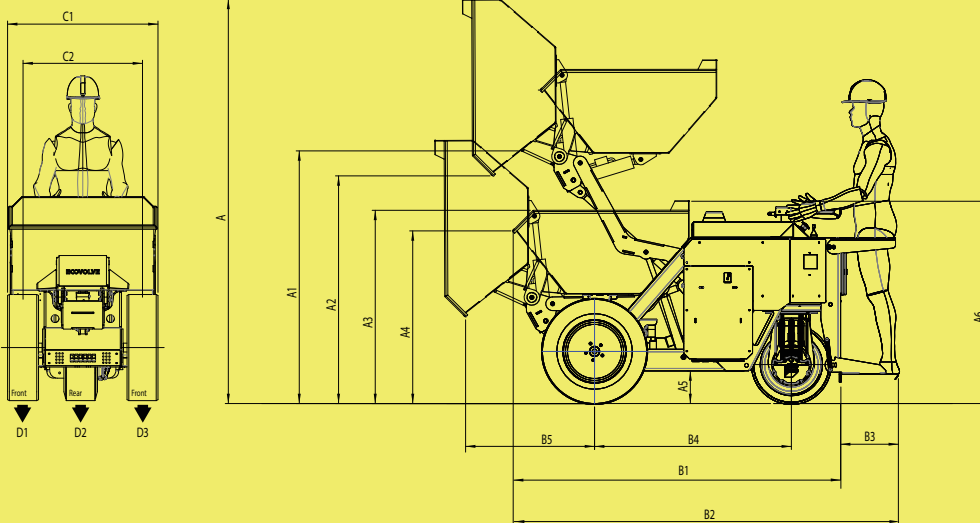
Proportional	Drive
Steering	Electric
Tires	Super elastic
	2no. 27x8.5x15 front
	1no. 21x8x9 rear
Brakes	Re-gen electric brake
	Negative parking brake

DRIVE MOTOR:

Type	Induction motor
Output	5 KW / 7Hp
Emission	Zero

NOISE:

Driving	65Db
Buzzer	Adjustable 60-80Db



	A	A1	A2	A3	A4	A5	A6
in	114	71	63	51	45	8.3	53

	B1	B2	B3	B4	B5	C1	C2
in	90.5	105	14.5	51	27.5	45	37.5

Ground Pressure (pounds)	D1 (Front)	D2 (Rear)	D3 (Front)
Unladen weight 3300 Lb	816	1720	816
Laden weight 6600 Lb	2140	2330	2140