

# ECOVOLVE ED1000 ELECTRIC DUMPER

## TECHNICAL DATA



### CAPACITY:

Max safe load	2200 Lb
Unladen weight	2866 Lb
Skip -Leveled	15 Cubic feet
-Heaped	21 Cubic feet
-Water level	83 Gallons

### HYDRAULIC SYSTEM:

Gear Pump	
-Flow rate	1.45 Gallon / Min
-Oper. pressure	1900 PSI
Pump Motor	2.2 KW
Hydraulic tank capacity	0.74 Gallons

### DRIVE:

	One wheel drive
	One wheel steer
Speed	0-5 Mph
Steering angle	90°
Grade-ability	15°

### ELECTRIC SYSTEM:

Voltage	24V
Battery	400Ah
Integrated Charging	Input 100-240V AC
	Output 24V DC
Recharge	8Hrs

### TRANSMISSION:

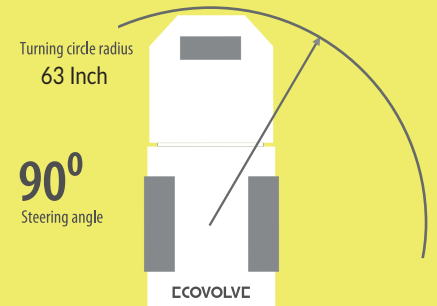
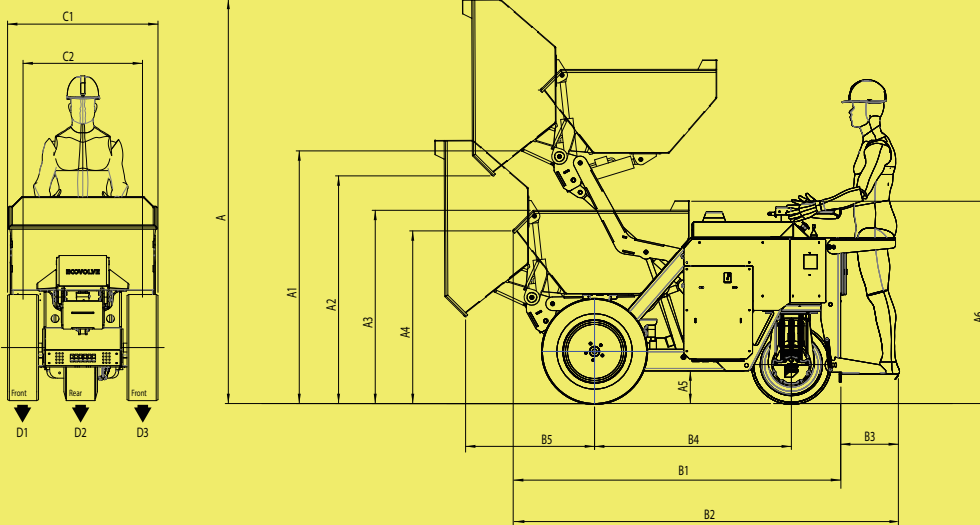
Proportional	Drive
Steering	Electric
Tires	Super elastic
	2no. 27x8.5x15 front
	1no. 21x8x9 rear
Brakes	Dynamic electric brake
	Negative parking brake

### DRIVE MOTOR:

Type	Induction motor
Output	5 KW / 7Hp
Emission	Zero

### NOISE:

Driving	65Db
Buzzer	Adjustable 60-80Db



	A	A1	A2	A3	A4	A5	A6
in	103	64	58	50	44	8.3	51.5

	B1	B2	B3	B4	B5	C1	C2
in	86.6	101	14.5	50	26	38	30

Ground Pressure (pounds)	D1 (Front)	D2 (Rear)	D3 (Front)
Unladen weight 2866 Lb	683	1500	683
Laden weight 5070 Lb	1730	1609	1730