

# SPIRALFLUSH®



## LARGE ID RING BIT SYSTEMS

**LARGE ID RING BIT SYSTEMS** are used with sacrificed casings when there is a requirement to continue the hole after casing is set. Such casings are left in ground due to economical, corrosion protection or sealing reasons, or because of ground cavities.



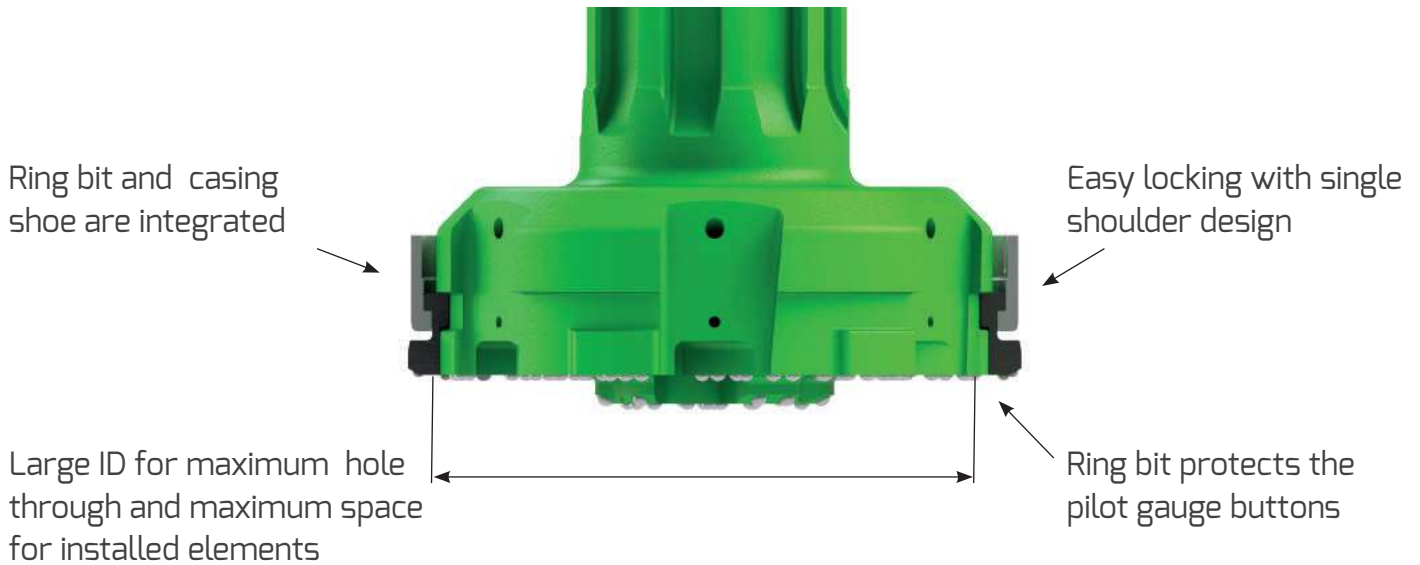
Main **applications** for large ID ring bit systems are:

1. Piling with sacrificed casings and rock socket
2. Energy/water wells
3. Surface casings (sealing, dewatering)

# SPIRALFLUSH®



## LARGE ID SYSTEM DESIGN FEATURES



System is available from 140 to 610 mm casings and for all major shank designs.

System product code	Casing OD		Max wall		Ring bit ID		Ring bit OD		Pilot bit OD	
	mm	inch	mm	Inch	mm	inch	mm	inch	mm	inch
I140-5.5-116	139,7	5 1/2"	5,5	7/32"	116	4 9/16"	160	6 19/64"	127	5"
HDI140-5.5-116 *	139,7	5 1/2"	5,5	7/32"	116	4 9/16"	170	6 11/16"	127	5"
I168-5.5-141	168,3	6 5/8"	5,5	7/32"	141	5 35/64"	189	7 7/16"	152	5 63/64"
HDI168-5.5-141 *	168,3	6 5/8"	5,5	7/32"	141	5 35/64"	199	7 53/64"	152	5 63/64"
I178-7-153	177,8	7"	7	9/32"	153	6 1/32"	204	8 1/32"	162	6 3/8"
I194-6-165	193,7	7 5/8"	6	15/64"	165	6 1/2"	224	8 13/16"	179	7 3/64"
I219-6.5-190	219,1	8 5/8"	6,5	1/4"	190	7 31/64"	245	9 41/64"	203	7 63/64"
I273-8-240	273	10 3/4"	8	5/16"	240	9 29/64"	299	11 49/64"	254	10"
I323-10-280	323,9	12 3/4"	10	25/64"	280	11 1/32"	350	13 25/32"	298	11 47/64"
I406-10-360	406,4	16"	10	25/64"	360	14 11/64"	436	17 11/64"	382	15 3/64"
I508-12,7-450	508	20"	12,7	1/2"	450	17 23/32"	538	21 3/16"	478	18 13/16"
I610-12.7-555	609,6	24"	12,7	1/2"	555	21 27/32"	640	25 13/16"	580	22 53/64"

\* Heavy duty systems for deep casing drilling. Special design with large ID.

\*\*Large diameter system can be engineered based on the specific customer requirements(610-1524mm)